

Bed Mounting

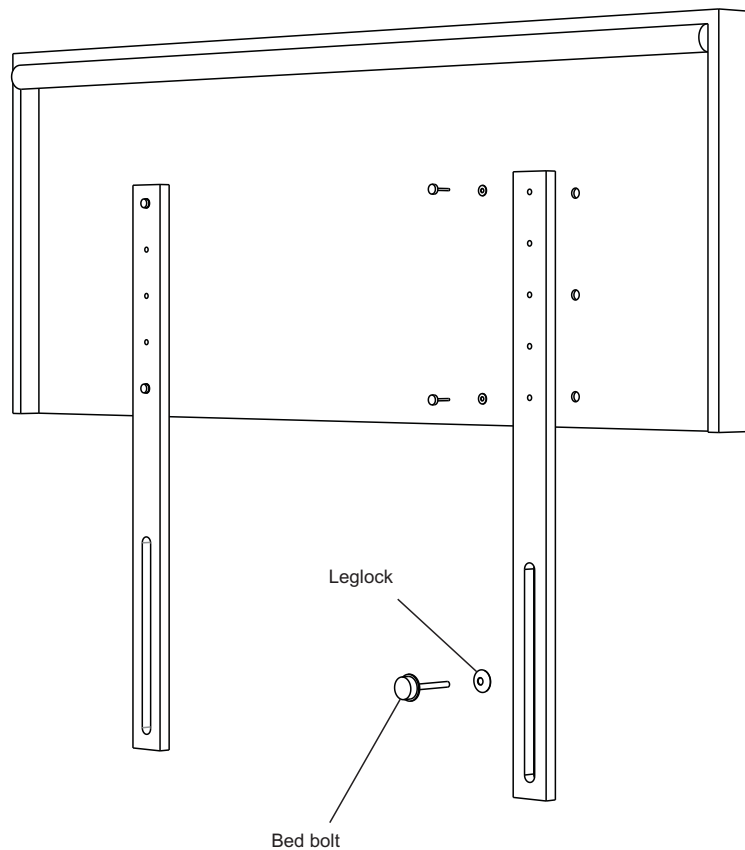
①

Attach the legs to the headboard, selecting the correct leg height. Do not fully tighten bolts until the headboard is attached to the bed.

Bed bolts should be supplied with your bed. Please contact your bed retailer.

②

Position the bed so the headboard rests against the wall.



leglocks

